

# AQUA



SOUND  
INSULATION



FIRE RATING:  
EI2.30



AUTOMATIC



SEVERAL FINISHES



GLASS







GLAZED PANEL  
TELESCOPIC  
SINGLE INSET PASSDOOR  
DOUBLE INSET PASSDOOR  
FULL-HEIGHT PASSDOOR  
SEGMENTED CURVED





ORACLE, SPAIN - AQUA





CARTIER, FRANCE - AQUA



AKIN GUMP, UNITED ARAB EMIRATES - AQUA





UCB, SWITZERLAND - AQUA





ACCENTURE, PORTUGAL - AQUA





UNIVERSITY OF BIRMINGHAM, UNITED KINGDOM - AQUA





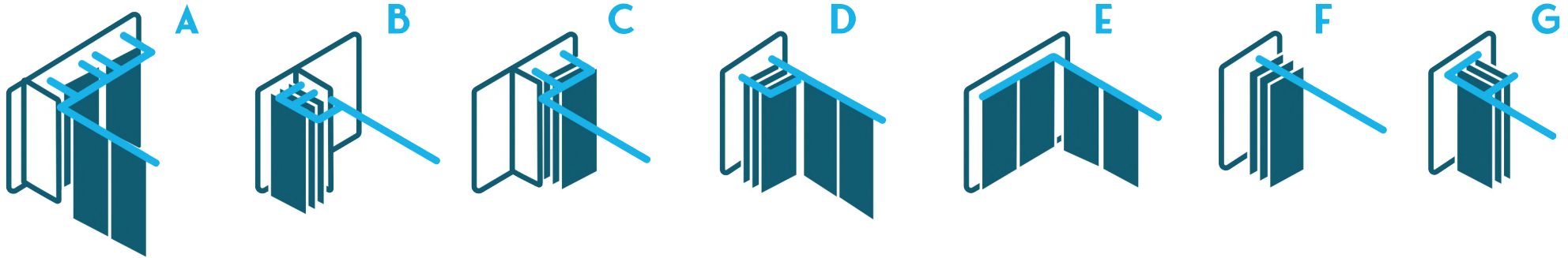
**ALSHAYA ENTERPRISES, UNITED ARAB EMIRATES - AQUA**



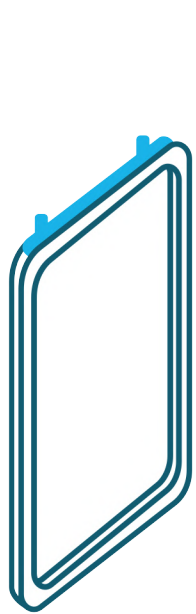
**STRAUSS HAUR & FELD LLP, UNITED ARAB EMIRATES - AQUA**



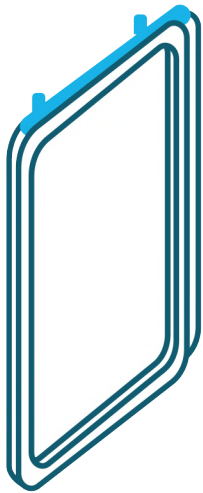
# STACKING SYSTEMS



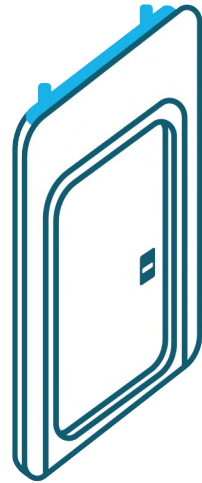
# PANEL'S TYPE



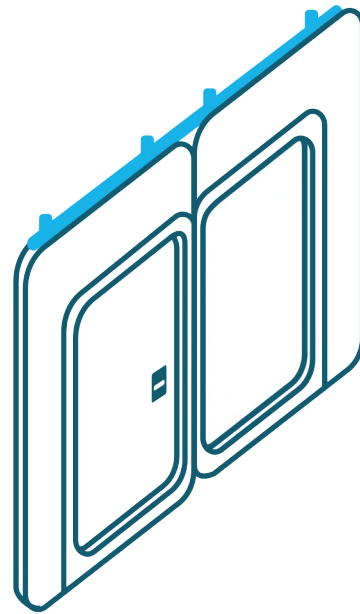
STANDARD  
PANEL



TELESCOPIC



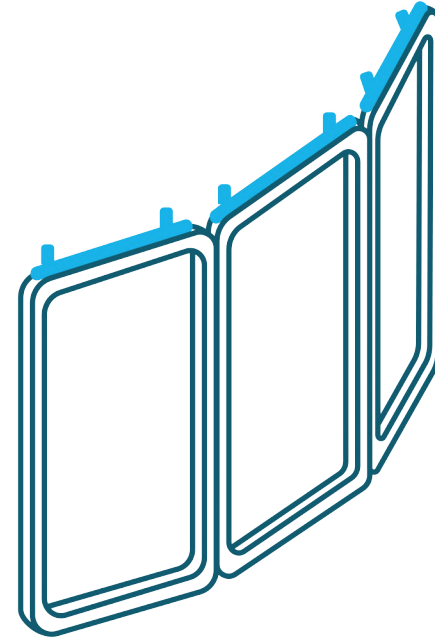
SINGLE INSET  
PASSDOOR



DOUBLE INSET  
PASSDOOR

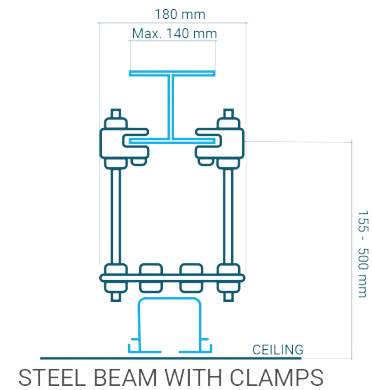
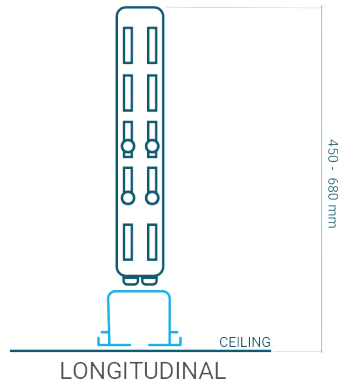
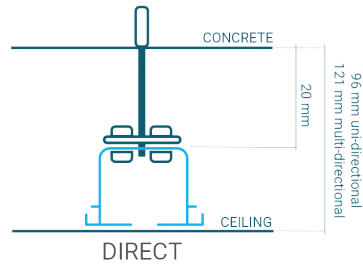
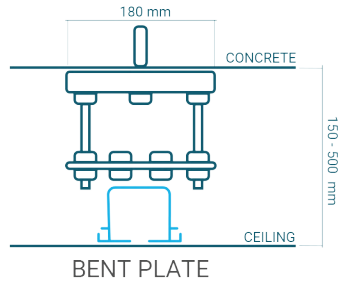
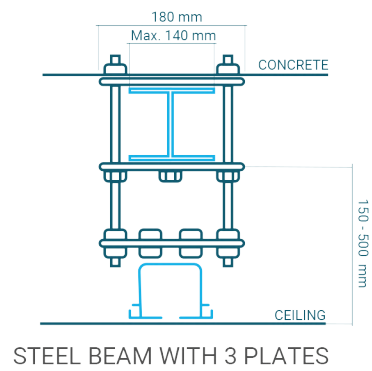
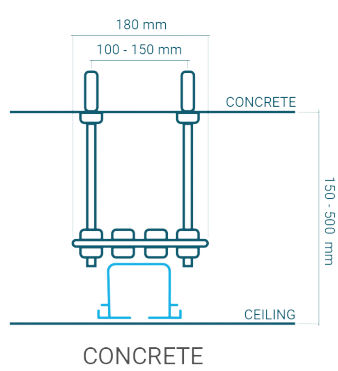


FULL-HEIGHT  
PASSDOOR

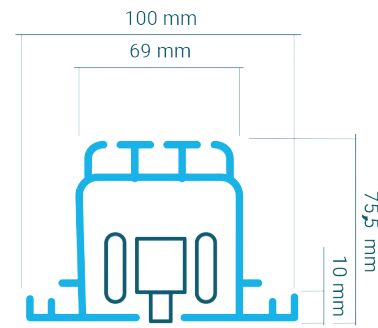


SEGMENTED  
CURVED





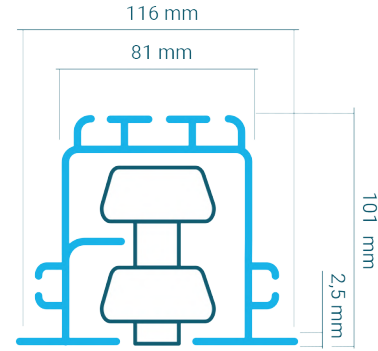
# CEILING TRACK



## TRACK TYPE UD

### Uni-Directional

Aluminium track profiles extruded from architectural grade 6063-T6 alloy.  
Load bearing capacity: 358Kg per panel.

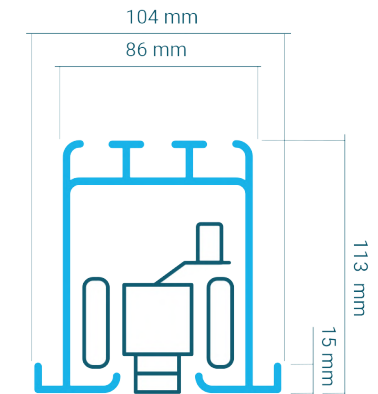


## TRACK TYPE MDS

### Standard

### Multi-Directional

Aluminium track profiles extruded from architectural grade 6063-T6 alloy.  
Load bearing capacity: 453Kg per panel.



## TRACK TYPE MDH

### Heavy Duty

### Multi-Directional

Aluminium track profiles extruded from architectural grade 6063-T6 alloy.  
Load bearing capacity: 850Kg per panel.

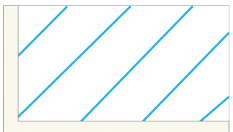


# FINISHES

Glass



JET BLACK - RAL 9005  
(standard)



PURE WHITE - RAL 9010

Note: Other panel finishes and, profiles and glass painting upon request.



**GDMO, UNITED ARAB EMIRATES - AQUA**

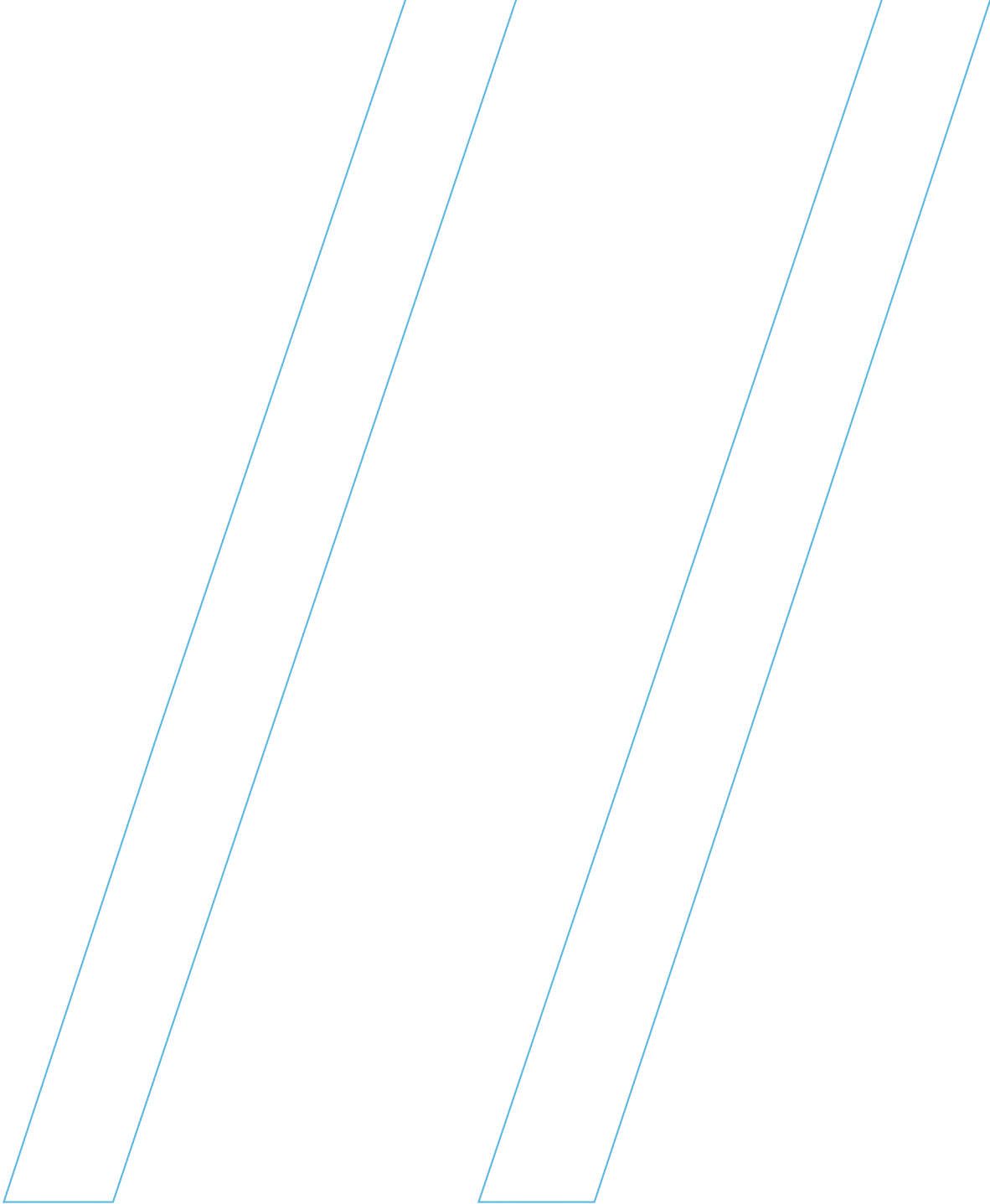




## TECHNICAL DATA TABLE

		GLAZED PANEL		TELESCOPIC		MIX		SINGLE INSET PASSDOOR		DOUBLE INSET PASSDOOR		FULL-HEIGHT PASSDOOR		
Dimensions	Thickness in mm	115	119	115	119	115	119	115	119	115	119	115	119	
	Width in mm	800 - 1300		800 - 1300		800 - 1300		1200 / 1250 / 1300		2302		1050		
	Height in mm (Max.)	3000 3300	4500	3000 3300	4500	3000	3500	3000/4500		3000/4500		3000		
Construction	Aluminium Profiles													
	Positive & Negative Aluminium Profiles	●		●		●		●		●		●		
Operation	Manual													
	Semi Automatic	●		●		●		●		●		●		
	Full Automatic	●		●		●		●		●		●		
Floor Track														
Technical Features	Soundproofing to ISO 10140-2:2010	Rw (dB)	Density (kg/m <sup>2</sup> )	Rw (dB)	Density (kg/m <sup>2</sup> )	Rw (dB)	Density (kg/m <sup>2</sup> )	Rw (dB)	Density (kg/m <sup>2</sup> )	Rw (dB)	Density (kg/m <sup>2</sup> )	Rw (dB)	Density (kg/m <sup>2</sup> )	
		44	39	44	39	44	39	44	39	44	39	44	39	
		49	48	49	48	49	48	49	48	49	48	49	48	
Door Handles	Enclosed Handle									●		●		
	Pull Handle													
	Extra Handle									●		●		
Finishes	Lacquering	●		●		●		●		●		●		
	HPL													
	MFC													
	MDF													
	Glass	●		●		●		●		●		●		
Special Finishes	●		●		●		●		●		●			
Electrically Controlled Blinds		●		●		●		●		●		●		
Switchable Glass		●		●		●		●		●		●		
Frosted Glass		●		●		●		●		●		●		





THE CLOISONS

THE SILENT WALLS

PCTS

INTELLIGENT SPACES